

\* Different LED Kelvin temperature available with 4-6 week lead time. Please call for a quote.  
 \*\* DISCLAIMER: This test report was produced in accordance with IES LM-79 photometric testing protocol for luminaires, using a single representative test fixture. Actual production units may vary from the values reported here by up to ±10%.

**Product Description:**

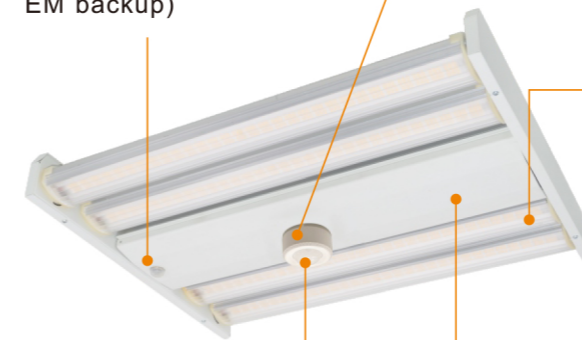
Emergency system test switch (included with optional 20W EM backup)



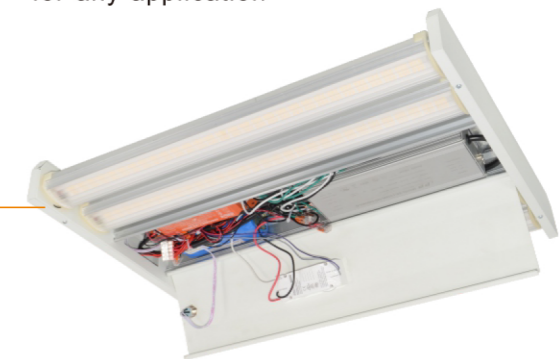
Dual Selectable Switch  
Easy access for 3-level wattage and CCT tuning



Diffuse lens with high optical efficiency (90%) allow for high efficacy while providing wide coverage and uniformity for any application



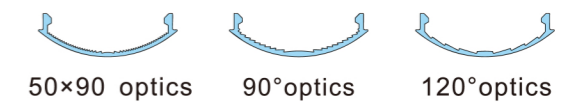
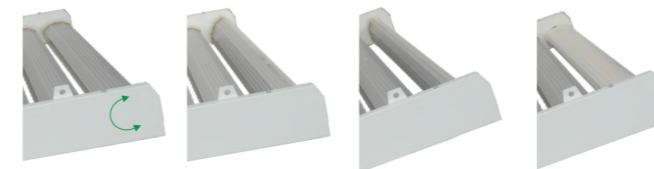
Easy access to all the sensor controls



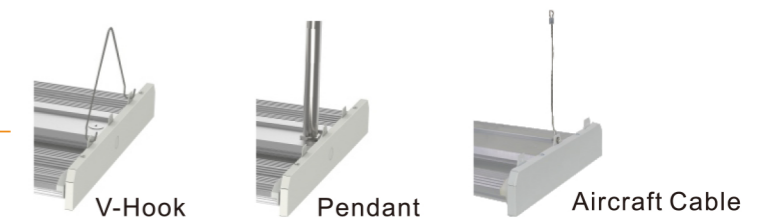
Tool-less entry simplifies the installation process



Outer light bars are 180° adjustable for applications requiring up-light capability



50x90 optics 90° optics 120° optics



V-Hook Pendant Aircraft Cable



Optional occupancy external sensor

\* Different LED Kelvin temperature available with 4-6 week lead time. Please call for a quote.  
 \*\* DISCLAIMER: This test report was produced in accordance with IES LM-79 photometric testing protocol for luminaires, using a single representative test fixture. Actual production units may vary from the values reported here by up to ±10%.



### Product Description:

This sleek new design from Tishman combines a slim profile with high quality optics to produce a sleek and subtle aesthetic that meets most office ceiling applications. With its tool-less easy access wiring compartment, this fixture simplifies the installation process. Ideal for office spaces, supermarkets, and meeting rooms.

### Features:

#### LISTING

- ▶ NOM

#### HOUSING

- ▶ Housing made of high quality aluminum with high reflectance paint to provide high lumen output.

#### AMBIENT TEMPERATURE

- ▶ Suitable for use in -40°C to +50°C

#### EFFICACY

- ▶ Up to 165 lumens per watt (see individual wattage data)

#### OPTICS

- ▶ Diffuse lens provides superior uniformity

#### ELECTRICAL

- ▶ Standard universal 120-277VAC and 277-480VAC input
- ▶ 4KV Surge protector per ANSI/IEEE C62.41
- ▶ Standard 0-10VDC dimming driver

#### FINISHES

- ▶ Polyester powder coat white finish, multi-stage process produces 3mil thickness for superior corrosion and maximum environmental durability.

### Model No:



TLHBF2-2V180



TLHBF4-2V290



TLHBF4-4V450

### Specification:

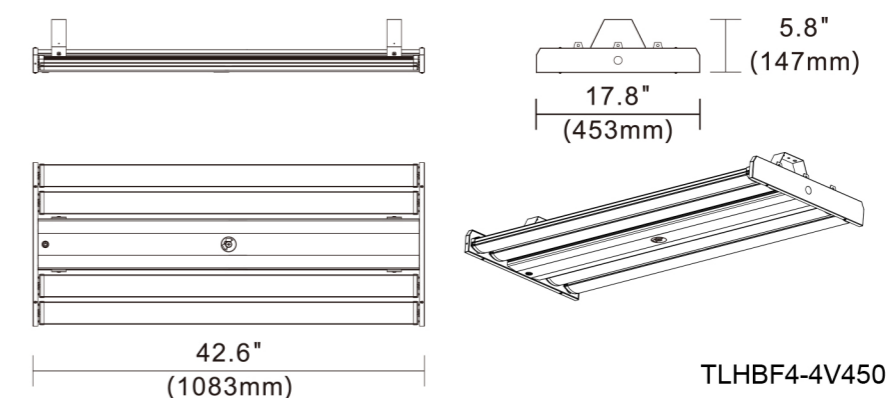
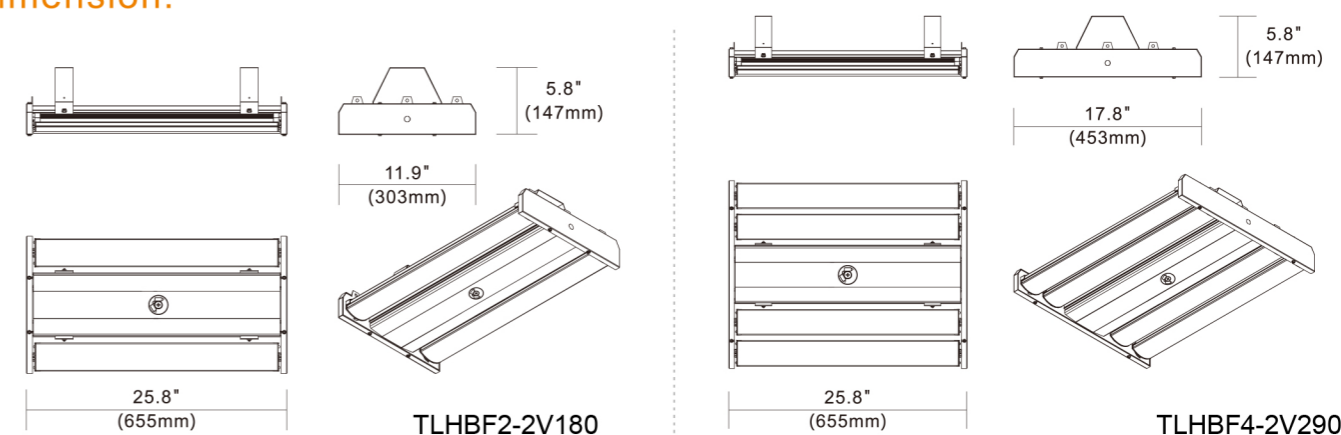
Model No.	Nominal Watts	Input Voltage	CRI	Color Temp*	Sensor	Finish	Option
TLHBF2-2V180	180=180W	UNV=120-277VAC HV4 =277-480VAC	8=80+	TX = 4000K	BLANK=No Sensor	WH=White	EM=(Emergency Battery Back Up)
TLHBF4-2V290	290=290W			4500K	MS=Microwave Sensor		
TLHBF4-4V450	450=450W	5000K		PC = Photocontrol			

### Performance Data:

Model NO.	Nominal Watts	Dist. Type	Lumen*	Efficacy*
TLHBF2-2V180	80/125/180W	Type V	26191 lm*	152 lm/w*
TLHBF4-2V290	200/240/290W	Type V	42720 lm*	153 lm/w*
TLHBF4-4V450	325/385/450W	Type V	68211 lm*	157 lm/w*

\* Lumen and Efficacy are based on 4500K

### Dimension:



\* Different LED Kelvin temperature available with 4-6 week lead time. Please call for a quote.  
\*\* DISCLAIMER: This test report was produced in accordance with IES LM-79 photometric testing protocol for luminaires, using a single representative test fixture. Actual production units may vary from the values reported here by up to ±10%.

\* Different LED Kelvin temperature available with 4-6 week lead time. Please call for a quote.  
\*\* DISCLAIMER: This test report was produced in accordance with IES LM-79 photometric testing protocol for luminaires, using a single representative test fixture. Actual production units may vary from the values reported here by up to ±10%.